

AIDA Imaging
1278 Center Court Dr
Covina, CA 91724

support@aidaimaging.com
aidaimaging.com/support
@aidaimaging

CCU-MINI

OPERATIONS MANUAL

VERSION 1.0 - DEC 2023



*Please note that the features listed below are representative of the capabilities encompassed within our camera lineup and are not exclusive to any single camera model.





Table of Content

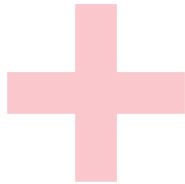
SECTION 1		INTRODUCTION	PAGE 03
SECTION 2		SAFETY & OPERATIONAL GUIDE	PAGE 04
SECTION 3		PACKAGE CONTENTS	PAGE 06
SECTION 4		QUICK START GUIDE	PAGE 07
SECTION 5		SUPPORT & TROUBLESHOOTING	PAGE 12
SECTION 6		WARRANTY & REPAIR	PAGE 13

Introduction

Welcome to the CCU-MINI Operations Manual - a comprehensive guide to unleashing the full potential of our PTZ joystick controller.

The CCU-MINI mirrors the user-friendly experience of the CCU-IP, but in simplified form! Connect any IP-supported camera with ease - up to 7 cameras via VISCA serial protocol, or control IP cameras over a LAN. Our PTZ controller provides a streamlined and cost-effective solution for both personal and professional broadcast and Pro AV productions. Experience seamless PTZ movements through our responsive joystick, all while monitoring each camera's status with the built-in LCD display.

Get ready enhance your PTZ capabilities!



Compatible Controllable Devices



AIDA PTZ CAMERAS



AIDA POV CAMERAS



VISCA over IP CAMERAS



SONY VISCA CAMERAS

Safety & Operational Guide



CAUTION:

RISK OF ELECTRIC SHOCK.
DO NOT OPEN.



CAUTION:

TO REDUCE THE RISK OF ELECTRIC SHOCK, DO NOT REMOVE COVER (OR BACK)
NO USER SERVICEABLE PARTS INSIDE. REFER SERVICING TO QUALIFIED SERVICE PERSONNEL.



WARNING

This symbol indicates that dangerous voltage consisting a risk of electric shock is present within this unit.



PRECAUTION

This exclamation point symbol is intended to alert the user to the presence of important operating and maintenance (servicing) instructions in the literature accompanying the appliance.

WARNING

To prevent damage which may result in fire or electric shock hazard, do not expose this appliance to rain or moisture.

1. Be sure to use only the standard adapter that is specified in the specification sheet. Using any other adapter could cause fire, electrical shock, or damage to the product.
2. Incorrectly connecting the power supply or replacing battery may cause explosion, cause excessive heat or fire
3. Securely plug the power cord into the power receptacle. Insecure connection may cause fire.
4. Do not place conductive objects (e.g. screw drivers, coins, metal items, etc.) or containers filled with water on top of the camera. Doing so may cause personal injury due to fire, electric shock, or falling objects.
5. Do not install the unit in humid, dusty, or sooty locations. Doing so may cause fire or electric shock
6. If any unusual smells or smoke come from the unit, stop using the product. Immediately disconnect the power source and contact the service center. Continued use in such a condition may cause fire or electric shock.
7. If this product fails to operate normally, contact the nearest service center. Never disassemble or modify this product in any way.

Safety & Operational Guide (cont.)

PRECAUTION

Please read this Operation Guide before installing and using the camera & retain this copy for your reference.

1. Always follow the instructions in the operations guide when applying power. Fire and equipment damage can occur if power is applied incorrectly. For the correct power supply, refer to the specifications page.
2. Do not use camera if fumes, smoke or a strange odor is emitted from the camera, or if it seems not functional correctly. Disconnect the power source immediately and consult with your supplier.
3. Do not use the camera in extreme environments where high temperatures or high humidity exists. Use the camera under conditions where temperatures are between 32°F ~ 104°F, and humidity is below 90%.
4. If installed close to a TV, radio transmitter, magnet, electric motor transformer or audio speakers the magnetic field generated may interfere with or distort the image.
5. Try to avoid fluorescent light reflections, unstable light conditions, direct pointing toward the sun. Use caution when operating the camera in the vicinity of spotlights or other bright lights and light reflecting objects.
6. To prevent damage, do not drop the camera or subject it to strong shock or vibration.



Package Contents

- 1 - CCU-MINI controller
- 1 - Power Adapter (12v)



Quick Start Guide

STEP 1: Power the CCU-MINI with its DC12V plug or optional AIDA-PoE-ADP (available Q1 - 2024).

STEP 2: Choose between the CCU-MINI's RJ45 Ethernet port, or RS232/RS422 ports

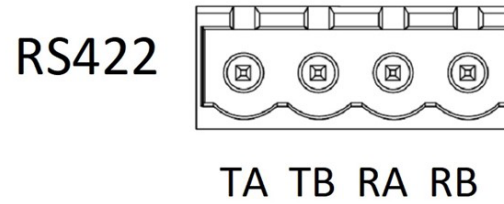
STEP 2a: For VISCA over IP, please plug in an Ethernet cable into the CCU-MINI, and directly connect it to your router or switch.

The default IP address of the CCU-MINI is: 192.168.1.108.

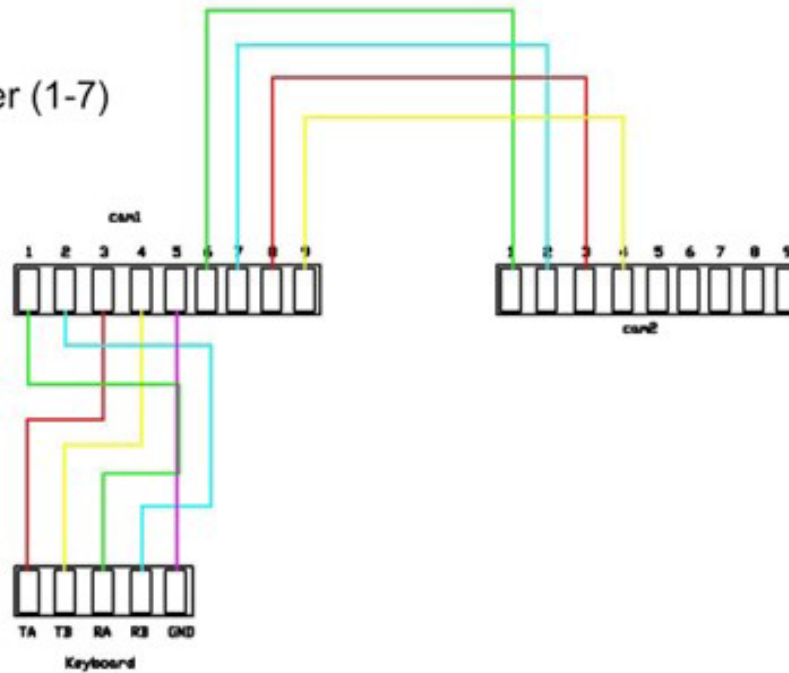
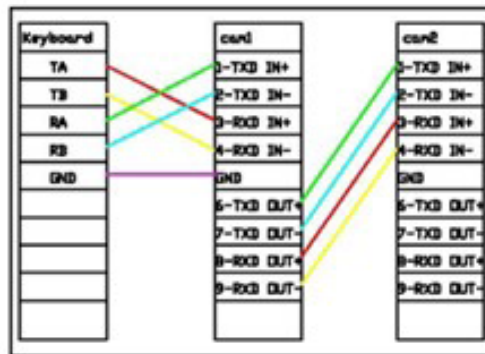
The IP address can be changed in the Settings menu.

STEP 2b: For Serial VISCA, please follow the wiring guides seen in the next two pages:

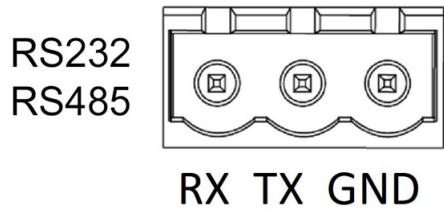
Quick Start Guide (RS422)



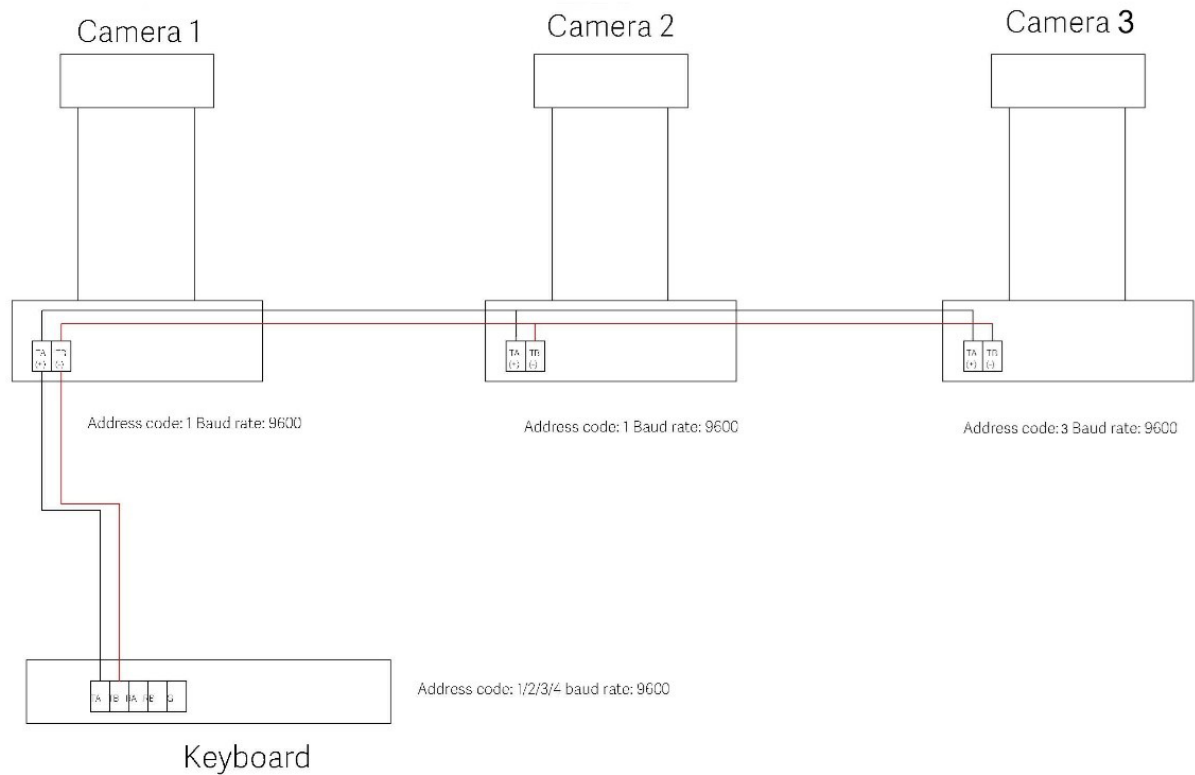
RS422 Wiring Info
 Cam Address: in sequential order (1-7)
 Baudrate: 9600



Quick Start Guide (RS232/RS485)



RS232 / RS485 Wiring Series connection





Controlling via VISCA over IP (Ethernet)

STEP 3: To connect an IP camera, press the button **SETUP** found on the bottom left of the CCU-MINI. The default IP address of the CCU-MINI is: **192.168.1.108**

To change the IP address, head to page 05/08 labeled IP MODE: STATIC

You can change the status to DHCP by tilting the joystick left or right, and selecting **ENTER** to confirm your selection.

Alternatively, you can press **ENTER** on IP MODE: STATIC to set your own IP address if necessary.

STEP 3a: Under the menu, head to page 01/08: Add Net Dev. From there, follow the prompt to address the camera position number, MODE, IP, MASK, and GATEWAY of the camera you are trying to control.

STEP 3b: Once complete, you will be able to connect up to seven compatible cameras. Hit the **ESC** key to exit the menu.

STEP 3c: To select a registered controller, select the **CAM** button near the bottom left of the controller. Next, input the camera number you want to control and then click **ENTER** to select the camera. From here, you will have full control of the camera.

Controlling via Serial VISCA (RS232, RS422, RS485)

STEP 4: To connect a Serial camera, press the **SETUP** and head to menu page 03/08 - labeled Switch to Ana

Press **ENTER** to accept and give the device a few minutes to update

STEP 4a: To add a Serial camera, head into the menu again to page 02/08: Add Ana Dev. Click **ENTER** - the device will ask for the Camera ID (**Important: NEEDS TO MATCH CAMERA'S ADDRESS NUMBER**), Mode (PelcoD/PelcoP = RS485, VISCA = RS232/RS422) and baudrate.

STEP 4b: Once complete, you will be able to connect up to seven compatible cameras. Hit the **ESC** key to exit the menu.

STEP 4c: To select a registered controller, select the **CAM** button near the bottom left of the controller. Next, input the camera number you want to control and then click **ENTER** to select the camera. From here, you will have full control of the camera.

STEP 5: With the CCU-MINI, you can adjust point/tilt/zoom speed, change & adjust the focus mode and set presets. To set a preset for any camera, press any **DIGIT (0-9)** key and hold it until the **PRESET** sign on the controller disappears.

To access the preset, press the corresponding **DIGIT** for the assigned preset.

END QUICK START GUIDE



Support & Troubleshooting

Please feel free to visit our website for more support at aidaimaging.com/support.

For additional operation manuals and specification sheets for all our other products, please visit aidaimaging.com/download.

Want to reach out to us?

Contact us directly by phone at **US: +1 (909) 333-7421** or our **Toll-Free Line at (844) 631-8367**

Email address: support@aidaimaging.com / info@aidaimaging.com

Regular Business Hours: Monday - Friday from 8 am - 5 pm, excluding major U.S. holidays and events

Subscribe to our newsletter which keeps you up to date on the latest news, product launches, and firmware updates from AIDA Imaging at <https://bit.ly/3pyyShp>



Warranty & Repair

AIDA Imaging stands behind the quality of its cameras and accessories, providing a comprehensive warranty for a period of **two years from the date of purchase**. This warranty ensures that the products are free from manufacturer defects in materials and workmanship under normal use conditions. To apply for warranty coverage, the original purchaser must present valid proof of purchase, such as a sales receipt or invoice, indicating the purchase date from an authorized AIDA dealer.

Please note that failure to provide sufficient proof of purchase may result in the denial of warranty coverage. However, if a valid warranty claim is established, AIDA Imaging will, at its sole discretion, undertake the necessary repairs, replace the defective product, or offer an equivalent product as a replacement.

It is important to understand that the warranty does not cover damages caused by misuse, abuse, negligence, unauthorized modifications, or normal wear and tear. Additionally, any repairs or alterations performed by unauthorized service providers will void the warranty. If proof of purchase cannot be provided during a warranty claim, AIDA Imaging reserves the right to withhold warranty coverage, potentially resulting in labor and parts charges to the consumer. For a comprehensive understanding of the warranty terms, conditions, limitations, and exclusions, we invite you to visit our official website at aidaimaging.com/warranty.

At AIDA Imaging, we are committed to ensuring customer satisfaction and product reliability. Should you encounter any issues covered by the warranty, please contact our dedicated customer service team, who will guide you through the warranty claim process and provide the necessary support to resolve your concerns.

For warranty extensions, we offer an opportunity for users to enhance their AIDA Imaging experience. Users that submit a detailed use case that showcases how our products integrate into your work can extend their warranty for an additional one year. Share with us through photos, videos, or writing depicting our products in action. We will cover up to 5 cameras when purchased from the same vendor and with validated proof of purchase. To learn more, visit our website at aidaimaging.com/warranty.

Thank you for choosing our CCU-MINI.

We are committed to providing you with a reliable and innovative product that meets all your broadcasting needs.

AIDA

IMAGING

We take pride in the quality and compliance of our products. The NDI3 POV camera is manufactured with the following certifications:



For any inquiries, technical support, or further assistance, please don't hesitate to contact our customer service team at support@aidaimaging.com.

AIDA Imaging
1278 Center Court Dr, Covina, CA 91724
www.aidaimaging.com
US (909) 333-7421 / Toll-Free (844) 631-8367
info@aidaimaging.com / support@aidaimaging.com